

KAPPA® 100.9W 10" WOOFER — TECHNICAL DATA

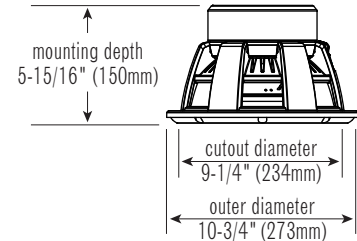


THIELE-SMALL PARAMETERS

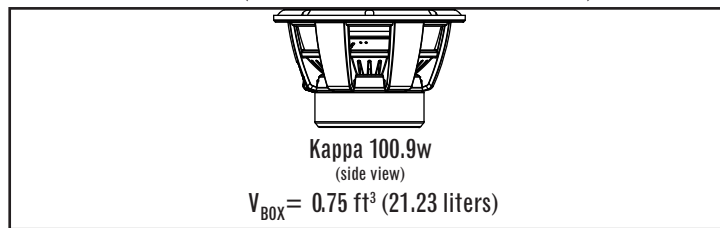
	2Ω	4Ω
VOICE-COIL DC RESISTANCE:	R_{EVC} (OHMS) 2.00 4.20	
VOICE-COIL INDUCTANCE @ 1kHz:	L_{EVC} (MH) 1.17 1.17	
DRIVER RADIATING AREA:	S_D (IN ²) 51.20 51.20	
	S_D (M ²) 330.00 330.00	
MOTOR FORCE FACTOR:	BL (TM) 12.47 17.72	
COMPLIANCE VOLUME:	V_{AS} (FT ³) 0.64 0.64	
	V_{AS} (LITERS) 18.05 18.05	
SUSPENSION COMPLIANCE:	C_{MS} (μM/N) 118.00 118.00	
MOVING MASS, AIR LOAD:	M_{MS} (GRAMS) 188.00 188.00	
FREE-AIR RESONANCE:	F_S (HZ) 33.80 33.80	
MECHANICAL Q:	Q_{MS} 4.18 2.43	
ELECTRICAL Q:	Q_{ES} 0.51 0.53	
TOTAL Q:	Q_{TS} 0.46 0.44	
MAGNETIC-GAP HEIGHT:	H_{AG} (IN) 0.39 0.39	
	H_{AG} (MM) 10.00 10.00	
VOICE-COIL HEIGHT:	H_{VC} (IN) 1.57 1.57	
	H_{VC} (MM) 40.00 40.00	
MAXIMUM EXCURSION:	X_{MAX} (IN) 0.68 0.68	
	X_{MAX} (MM) 17.50 17.50	

SPECIFICATIONS

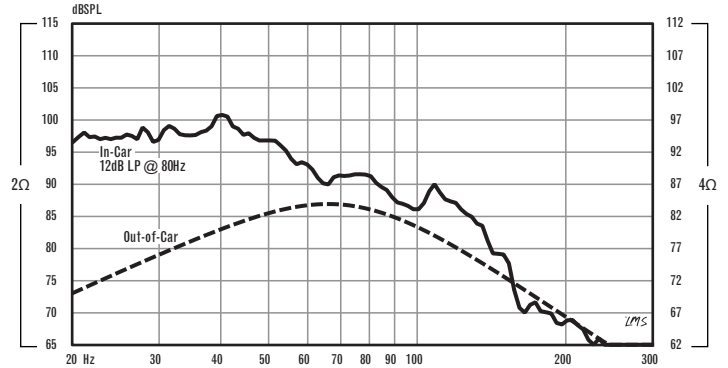
DIAMETER:	10" (254MM)
SENSITIVITY (2.83V @ 1m):	89dB
POWER HANDLING:	350W _{RMS} (1400W _{PEAK})
FREQUENCY RESPONSE:	25Hz ~ 400Hz
NOMINAL IMPEDANCE:	2 OR 4 OHMS
VOICE-COIL DIAMETER:	2" (51MM)
DIMENSIONS:	



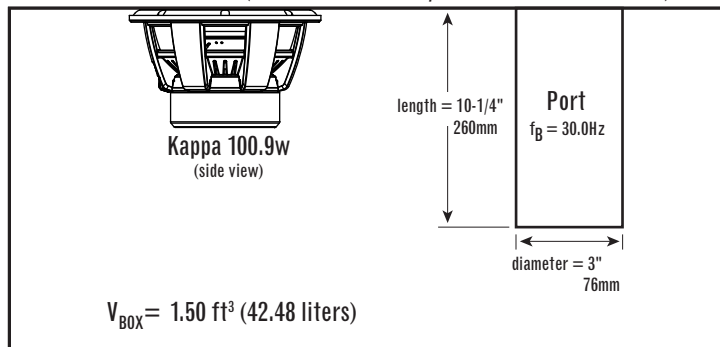
SEALED-BOX VOLUME (INCLUDES DRIVER DISPLACEMENT)



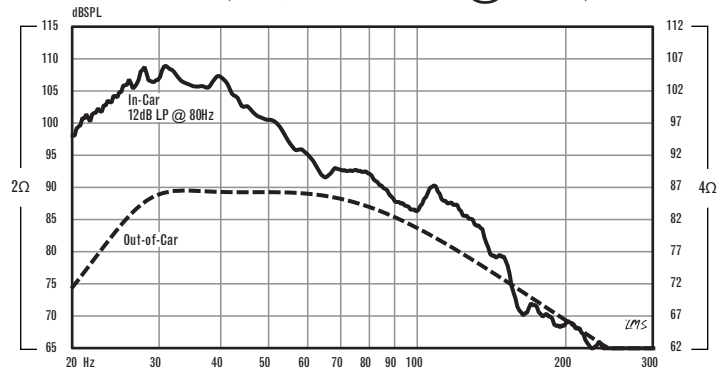
SEALED ENCLOSURE (FREQUENCY RESPONSE @ 2.83V)



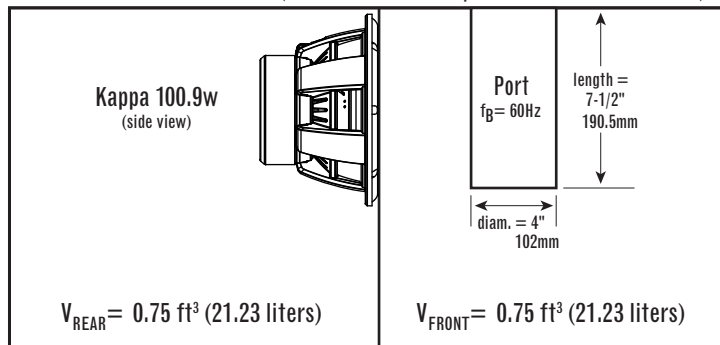
VENTED-BOX VOLUME (INCLUDES DRIVER/PORT DISPLACEMENTS)



VENTED ENCLOSURE (FREQUENCY RESPONSE @ 2.83V)



BAND-PASS-BOX VOLUME (INCLUDES DRIVER/PORT DISPLACEMENTS)



BAND-PASS ENCLOSURE (FREQUENCY RESPONSE @ 2.83V)

